



# savvius Insight™

Mini appliance. Mini price. Maximum network visibility.

## Benefits

- Saves money by having an affordable network monitoring appliance at every location
- Provides remote troubleshooting and reporting capabilities 24x7 without requiring travel
- Reduces mean time to resolution (MTTR) by providing advanced troubleshooting capabilities at the network edge
- Increases ROI of Omnicloud deployments through use of OmnipEEK and Multi-Segment Analysis
- Provides built-in, web-based, local or remote long-term reporting using ELK technology
- Troubleshoot VoIP calls and media with new ELK dashboards (Savvius Insight Plus only)

## The Challenge

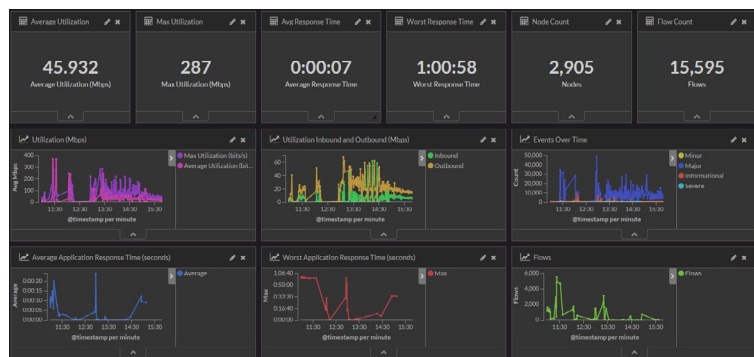
Small-to-medium sized businesses (SMBs) and remote sites need powerful, affordable solutions for real-time visibility into network and application performance.

## Solution

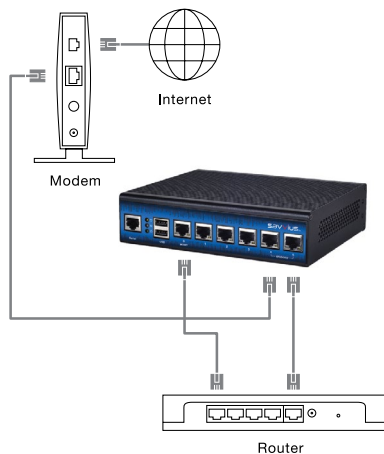
Already the industry’s most compact and cost-effective network monitoring and troubleshooting appliance, Savvius Insight enables anyone responsible for 1G networks in most SMBs and remote enterprise offices to visualize, detect, pinpoint, diagnose, and manage network issues with a single low-cost solution.

Savvius Insight is a compact, fanless, quad-core, six-port mini-appliance that provides all the benefits of Savvius’ enterprise datacenter solutions to networks operating at 850 Mbps or less. Built with enough storage to hold days, weeks, or months of network data, depending on network traffic, Savvius Insight is available in the following configurations:

- Savvius Insight: 8 GB of RAM, 256 GB of SSD storage
- Savvius Insight Plus: 16 GB of RAM, 1 TB of SSD storage, and additional support for VoIP troubleshooting



Savvius Insight has built-in, long-term reporting that starts the instant you connect it to your network. Simply point your browser at Insight to see detailed analytics presented in intuitive dashboards. It also has the ability to forward data to a remote ELK server, aggregating the data from multiple Savvius Insights into a single database for long-term reporting and centralized data access across multiple locations. View and analyze your data easily and intelligently with the



customizable dashboards. Additionally, a version of Savvius Omnippeek is included for viewing and exploring network performance and security data.

### Long-term Reporting

Placed inline to an Internet connection, Savvius Insight automatically begins collecting network statistics and trend data for immediate display and long-term reporting.

Users can instantly access in-depth analytics on network activity such as bandwidth utilization, application response times, flow volume, packet types, expert events, security events, VoIP calls and media

RECOMMENDED USERS		
REMOTE OFFICE NETWORKS	MANAGED SERVICE PROVIDERS	SMALL BUSINESSES
<ul style="list-style-type: none"> <li>• Deploy the industry's first affordable network monitoring and diagnostics solution for remote offices</li> <li>• Collect key network performance indicators and display the results in your web browser</li> <li>• Eliminate travel to remote locations for network troubleshooting</li> </ul>	<ul style="list-style-type: none"> <li>• Provide services to more customers with the same staff</li> <li>• Offer new and differentiated service offerings</li> <li>• Respond to customer issues instantaneously from any location</li> </ul>	<ul style="list-style-type: none"> <li>• Understand your network performance through intuitive, web-based dashboards</li> <li>• Make key network trouble-shooting data available to remote network professionals</li> <li>• Install and configure Savvius Insight in less than 5 minutes</li> </ul>

	SAVVIUS INSIGHT	SAVVIUS INSIGHT PLUS	
		VOIP DISABLED	VOIP ENABLED
FORENSIC APTURE (CTD)	Up to 800 Mbps	Up to 850 Mbps	N/A
REAL-TIME ANALYSIS	Up to 70 Mbps	Up to 70 Mbps	Up to 60 Mbps
NETWORK MONITORING (ELK)	Up to 100 Mbps	Up to 125 Mbps	Up to 100 Mbps
MEMORY	8 GB	16 GB	
STORAGE CAPACITY	256 GB SSD	1 TB SSD	
DEVICE DIMENSIONS / WEIGHT	7-by-1.7-by-5.7-inches; 2.64 lbs	7-by-1.7-by-5.7-inches; 2.64 lbs	
ELK STACK FOR LONG TERM REPORTING	Yes	Yes	
OMNIPEEK FOR SAVVIUS INSIGHT	Yes	Yes	
CAPTURE ENGINE FOR OMNIPEEK	Yes	Yes	
VOIP ANALYSIS	No	Yes	

Savvius and the Savvius logo are trademarks or registered trademarks of Savvius and/or its affiliates in the U.S. and other countries. All registered and unregistered trademarks are the sole property of their respective owners. The use of the word partner does not imply a partnership relationship between Savvius and any other company.